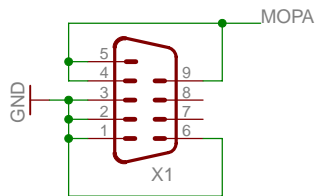
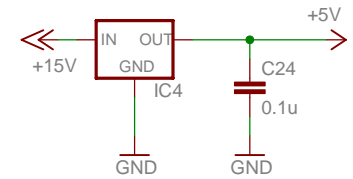
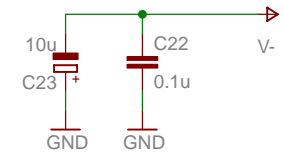
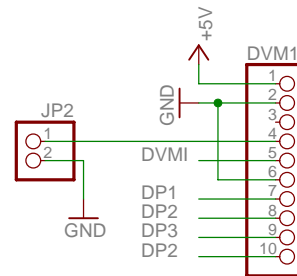
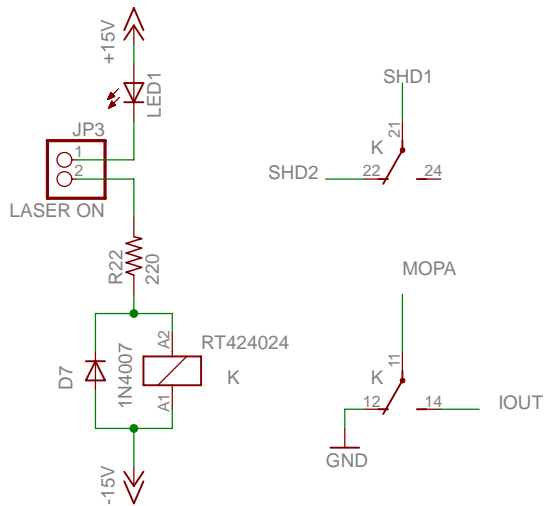
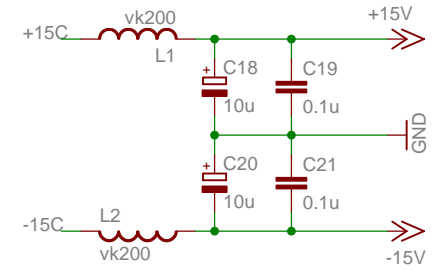
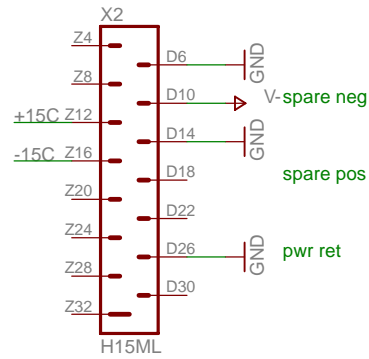
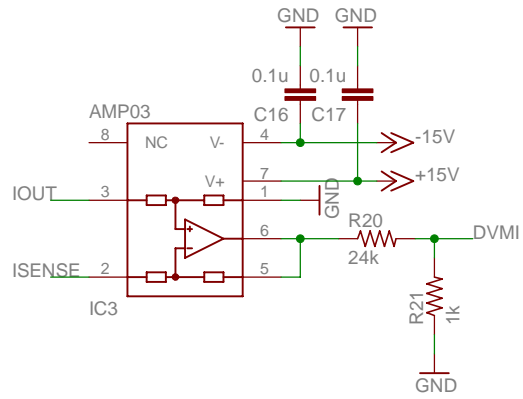


Notes

- Do not mount C1 and C9
- Solder C7B between IOUT(-) and GND(+)
- Ask the EW about D2
- For lowest noise solder 0.1uF across R5



TITLE: lddsink2r3	
Document Number:	REV:
Date: 02/11/2010 14.37.12	Sheet: 1/2



TITLE: lddsink2r3

Document Number:

REV:

Date: 02/11/2010 14.37.12

Sheet: 2/2